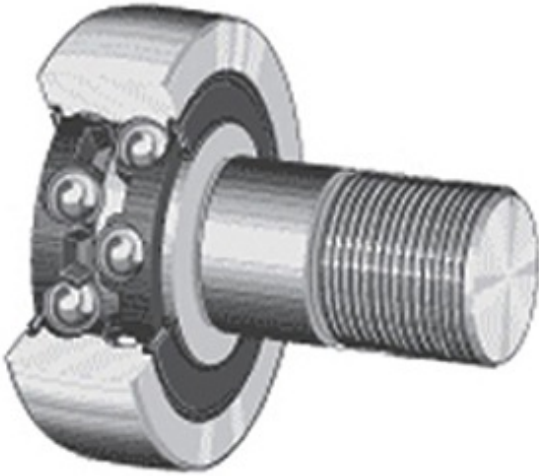




NTN BEARING CORP.OF AMERICA

PCI PTR-1.25 Cam Follower and Track Roller - Stud Type



PTR-1.25 Bearing 2D drawings and 3D CAD models

Bearing No. PTR-1.25

Category	Cam Follower and Track Roller - Stud Type
Inventory	0.0
Manufacturer Name	PROCAL INNOVATIONS LLC WWW.PCIMFG.COM
Minimum Buy Quantity	N/A
Weight	0.14
Product Group	B04120
Roller Surface Profile	Flat
Profile	Stud Type
Thread Size	1/2-20
Stud Profile	Standard Stud
Enclosure	Sealed
Rolling Element	Ball Bearing - Double Row
Relubricatable	No
Hex Socket	Yes
Inch - Metric	Inch
Long Description	1-1/4" Roller Diameter; 27/32" Roller Width; Flat Roller Surface; Stud Type; 1/2" Stud Diameter; 1/2-20 Thread; Standard Stud; Sealed; Ball Bearing - Double Row; Not Relubricatable; Hex
Category	Cam Followers Stud Type
UNSPSC	31171530



NTN BEARING CORP.OF AMERICA

Harmonized Tariff Code	8482.10.50.68
Noun	Bearing
Keyword String	Cam Follower
Manufacturer URL	http://www.pcimfg.com
Manufacturer Item Number	PTR-1.25
Weight / LBS	0.29
Roller Diameter	1.25 Inch 31.75 Millimeter
Roller Width	0.844 Inch 21.438 Millimeter
Stud Diameter	0.5 Inch 12.7 Millimeter